

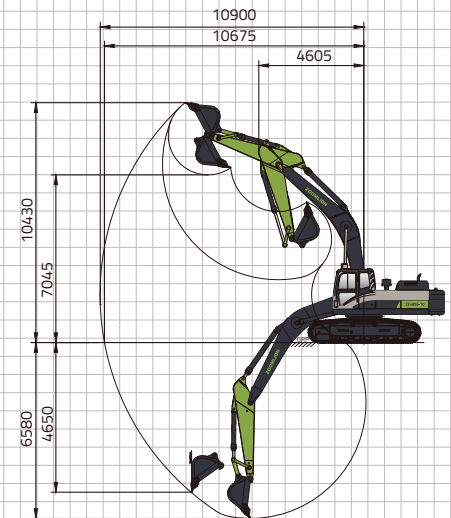
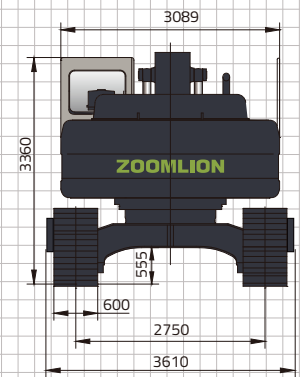
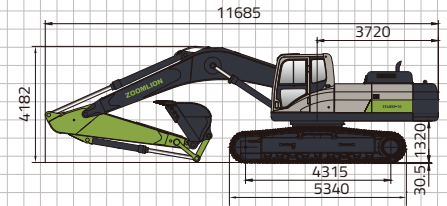
CRAWLER EXCAVATOR ZE485E-10



ZOOMLION

CRAWLER EXCAVATOR ZE485E-10

	Items	Units	ZE485E-10
Basic Technical Data	Operating Weight	kg	47400
	Standard Capacity	m ³	2.65
	Slewing Speed	r/min	8.8
	Traveling Speed(high/low)	km/h	5.4/3.2
	Max. Drawbar Pull	kN	350
	Digging Force of Bucket	kN	315
	Digging Force of Stick	kN	297
Engine	Engine Manufacturer	-	CUMMINS
	Engine Model	-	QSM11
	Rated Power	kW/rpm	274/1800
	Displacement	L	10.8
	Emission Standard	-	EU Stage IIIA
Dimensions	Length	mm	11685
	Width	mm	3610
	Height	mm	4182
	Tail Slewing Radius	mm	3740
	Track Gauge	mm	2750
	Length of Track On Ground	mm	4315
Operating Range	Max. Digging Radius	mm	10900
	Max. Digging Reach	mm	10675
	Max. Digging Depth	mm	6580
	Max. Digging Height	mm	10430
	Max. Dumping Height	mm	7045



ZOOMLION

Zoomlion Heavy Industry Science & Technology Co.,Ltd.

Add: No.361, South Yinpen Road, Changsha, Hunan Province, P.R.China 410013

Email: earthmoving@zoomlion.com

Copyright©2021 Zoomlion. All rights reserved. Reproduction and copying of any part of contents is not allowed for any purposes without Zoomlion's approval.
Note: Materials and specifications are subject to change without notice. Featured machines in photos may include additional equipment. See your Zoomlion dealer for available options.

