

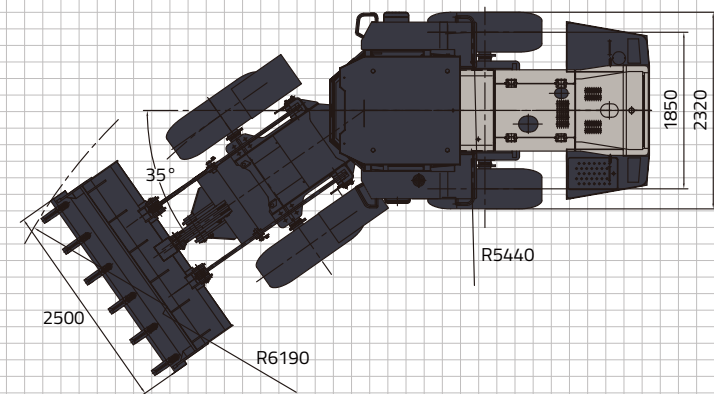
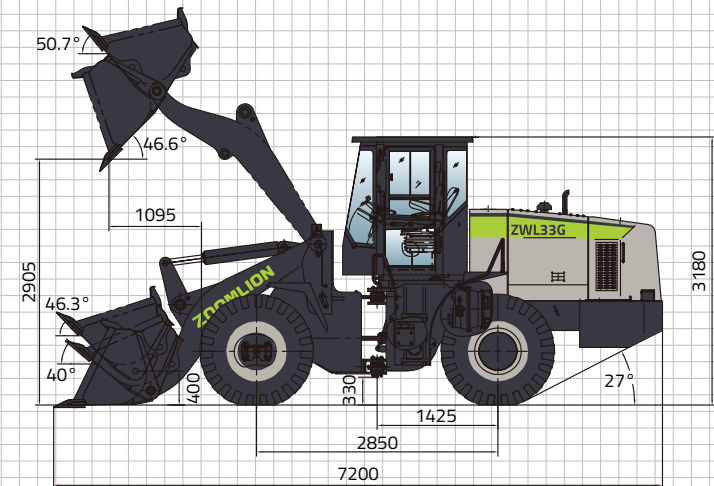
WHEEL LOADER ZWL33G



ZOOMLION

WHEEL LOADER ZWL33G

	Description	Standard	High Dump
Dimensions	Overall Height (Max. Bucket Lifting)	4474 mm	4766 mm
	Ground Height of Boom Lower Pin	3710 mm	4064 mm
	Dumping Height at 45° Dumping Angle	2905 mm	3250 mm
	Dumping Distance at 45° Dumping Angle	1095 mm	1002 mm
	Bucket Angle at Carry	46.3°	46.6°
	Bucket Angle at Ground	40°	40.9°
	Digging Depth	30-40 mm	30-40 mm
	Bucket Angle - Max. Lifting	50.7°	47°
	Bucket Dumping Angle	46.6°	45°
	Carry Height	400 mm	400 mm
	Min. Ground Clearance	345 mm	345 mm
	Center Line of Front Axle to Hitch	1425 mm	1425 mm
	Wheelbase	2850 mm	2850 mm
	Overall Length	7200 mm	7450 mm
	Departure Angle	27°	27°
	Height to Top of Cab	3180 mm	3180 mm
	Overall Width over Bucket	2500 mm	2500 mm
	Min. Turning Radius over Bucket	6190 mm	6280 mm
	Min. Turning Radius over Tires	5675 mm	5675 mm
	Steering Angle - Left/Right	35°	35°
	Width at Tread Center	1850 mm	1850 mm
	Overall Width over Tires	2320 mm	2320 mm



Technical Parameters				Configuration	Optional		
Basic	Bucket Capacity	1.7 m³	Drive Train	Transmission Type	Countershaft Powershift Transmission	WEICHAI Engine	Pilot Working Control
	Rated Payload	3000 kg		Shift Type	Mechanical Powershift Control	LONKING Transmission	High Dumping Boom
	Operating Weight	10000 (10300) kg		Transmission Pressure	1.1-1.5 MPa	Mechanical Powershift Control	Oil-bath Air Filter
	Traction Force	97±3 kN		Torque Converter Type	Single-stage, Turbine, 3 Elements	LONKING Axles (Dry type)	Radial Tire
	Breakout Force	105(95)±3 kN		Drive Axle	Rigid (Front) & Oscillating (Rear)	Mechanical Powershift Control	3rd Spool
	L×W×H, mm	7200(7450)×2500×3180		Rear Axle Oscillation	±10°	Flexible Shaft Controlled Caliper Brake System	Sliding Cab Window
Engine	Manufacturer/Model	Weichai/WP6G125E22		Differential	Conventional	ROPS & FOPS Cab	Electric Heating Rear Window
	Rated Power/Speed	92 kW / 2200 rpm		Main Reducer	Spiral Bevel, 1-stage Reduction	Mechanical Instrument	Lockable Oil Tank Cap
	Max. Torque/Speed	500N · m / 1400 - 1600 rpm		Final Reducer	Planetary Reduction	Fan Heater	Backup camera
	Bore × Stroke	105×130 mm		Tire	17.5 -25 L-3 12P R TT		Heating and cooling air conditioner
	No. of Cylinders/ Displacement	6 / 6.75 L	Travel Speed - Forward	7/12/24/36 km/h		Radio/MP3	
	Air Filter	Three Stage Filtration Air Filter	Travel Speed - Reverse	8.5/28 km/h		Bucket (2.0 m³)	
	Alternator	70 Amp	Type	Mechanical Powershift Control		Enlarged Bucket (2.3 m³)	
	Battery	2-24V / 105 Ah	Gear Pump	246 L/min · 2200 rpm		Coal Bucket (2.5 m³)	
Brake System	Starting Motor	24 V / 6 kW	Hydraulic System	Distribution Valve	2 Spool	Bucket (3 Piece Cutting Edges)	
	Service Brake	Single Circuit Caliper 4-wheel Brake (Dry type)		System Pressure	16 MPa	Log Grapple	
	Pressure	0.70 - 0.78 MPa		Cycle Time (Sec)	9	Grass Grapple	
	Parking Brake	Flexible Shaft Controlled Caliper Brake System		Fuel Tank Capacity	200L	Side Dumping Bucket	
Steering System	Emergency Brake	Flexible Shaft Controlled Caliper Brake System	Oil capacity	Hydraulic Oil Refill Capacity	165/170 (3rd Spool) L	Cargo Fork	
	Type	Hydraulic Load Sensing Steering System		Engine Oil Refill Capacity	14 L	Quick Hitch Coupler	
	Gear Pump	246 L / min · 2200 rpm		Transmission Oil Refill Capacity	36 L	Quick Hitch Bucket (1.7 m³)	
	System Pressure	15 MPa		Front Axle/Rear Axle	18.5 L / 18.5 L	Quick Hitch 4-in-1 Bucket	
	Steering Cylinder Type	Double Cylinders Acting				Quick Hitch Snow Blade	
	Steering Angle	±35°					

ZOOMLION

Zoomlion Heavy Industry Science & Technology Co.,Ltd.

Add: No.361, South Yinpen Road 361, Changsha, HunanProvince, P.R.China 410013

Email: earthmoving@zoomlion.com

Copyright©2023 Zoomlion. All rights reserved. Reproduction and copying of any part of contents is not allowed for any purposes without Zoomlion's approval.

Note: Materials and specifications are subject to change without notice. Featured machines in photos may include additional equipment.



en.zoomlion.com



[zoomliontech](#)



[zoomliontech](#)



[zoomlion](#)



[zoomliontech](#)



[ZOOMLION Tech](#)